

8 7 6 5 4 3 2 1

FUSEHOLDER INFORMATION		
POSITION 7 & 8	"L"	ARC ROD
13	18.72 IN (475 MM)	8.0 IN (203 MM)
43	18.72 IN (475 MM)	8.0 IN (203 MM)
MM	-	-

CATALOG NUMBERING SYSTEM

POSITION

1 2 3 4 5 6 7 8 9 10 11 12 13
CP 7 1 0 - 6

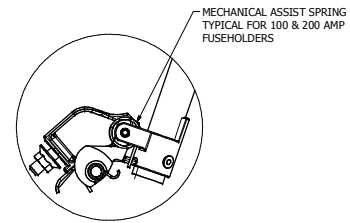
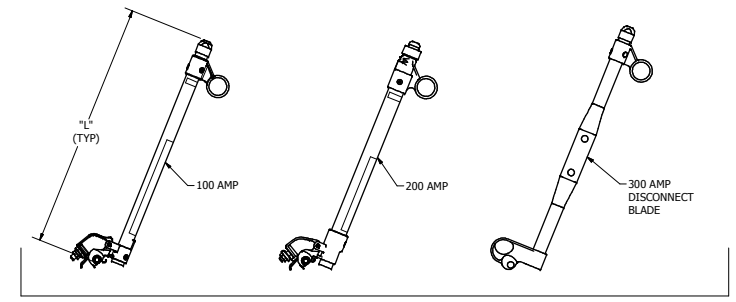
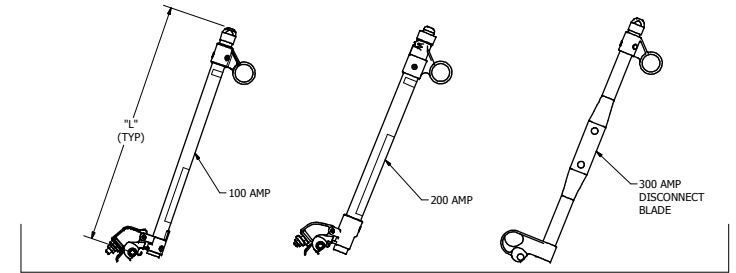
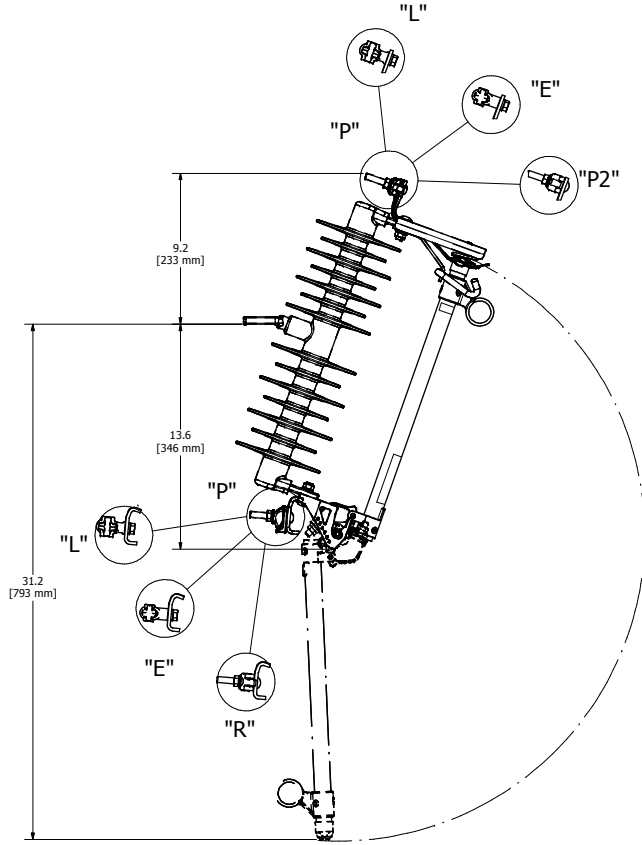
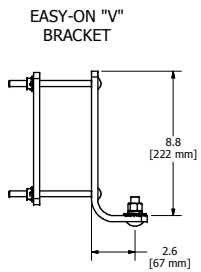
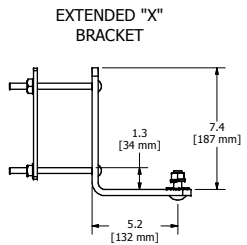
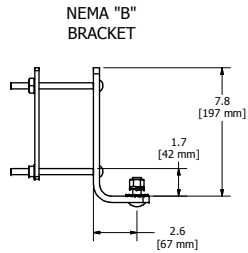
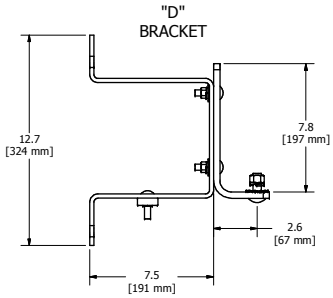
LABEL INFORMATION			
POSITIONS 7 & 8	A	B	C
13	36	100	12,000
43	36	200	12,000
MM	-	-	-

POSITION 7&8
FUSEHOLDER

POSITION 11 - 13
SPECIAL OPTIONS
 BLANK - NO OPTION
 D - RATING LABEL
 F - WILDLIFE PROTECTOR
 K - TRUNNION W/ KEYHOLE
 M - MECHANICAL ASSIST FUSEHOLDER
 S - STAINLESS STEEL

POSITION 9
TERMINAL OPTIONS
 P - PG CLAMPS (TIN PLATING)
 P2 - PG CLAMPS, 2 PIECE
 E - SMALL EYEBOLT TERMINALS
 L - LARGE EYEBOLT TERMINALS
 R - ROTATED BTM PG
 T - FUSEHOLDER ONLY
 (POSITION 10 & 11 BLANKS)

POSITION 10
MOUNTING BRACKET
 BLANK OR Z - NO BRACKET
 B - NEMA "B" BRACKET
 C - NEMA "B" BRACKET W/6" BOLTS
 X - EXTENDED BRACKET
 D - "D" BRACKET
 V - EASY-ON BRACKET



CONFIDENTIAL

DIMENSIONS ARE APPROXIMATE
AND FOR REFERENCE ONLY

845 MM LEAKAGE DISTANCE
METAL TO METAL

CHANCE		HUBBELL POWER SYSTEMS, INC.		HUBBELL POWER SYSTEMS	
EC:71152 SR	DATE:09-14-17	TITLE CUTOUT, 36KV 170KV BIL, 845 MM			
CONFIDENTIAL: THIS DRAWING AND ITS CONTENTS ARE CONFIDENTIAL AND THE EXCLUSIVE PROPERTY OF HUBBELL POWER SYSTEMS. NO PUBLICATION, DISTRIBUTION OR COPIES MAY BE MADE WITHOUT THE WRITTEN CONSENT OF HUBBELL POWER SYSTEMS. HUBBELL POWER SYSTEMS UNPUBLISHED ALL RIGHTS RESERVED UNDER THE COPYRIGHT LAWS.					
SIZE D	DWG NO. PSSAP7106	CAT / PART / ASSY NO. CP710-6	REV B	DO NOT SCALE THIS DRAWING	
DRN BY SHARMILA		DATE 03-03-17	SHEET 1 OF 1		

8 7 6 5 4 3 2 1